

Staircase time switch



TLZ12G-230V+UC

Only skilled electricians may install this electrical equipment otherwise there is the risk of fire or electric shock!

Temperature at mounting location:
-20°C up to +50°C.
Storage temperature: -25°C up to +70°C.
Relative humidity:
annual average value <75%.

Noiseless solid-state relay not potential-free 400W. Switch-off early warning and pushbutton permanent light switchable. Standby loss 0.4 watt only. With ESL optimisation and multifunction.

Modular device for DIN-EN 60715 TH35 rail mounting. 1 module = 18mm wide, 58mm deep.

Zero passage switching to protect lamps. This prolongs in particular the lifetime of energy saving lamps.

State-of-the-art hybrid technology combines advantages of nonwearing electronic control with a nearly wear-free switching solid-state relay.

230V control voltage and additionally 8 to 230V UC electrically isolated universal control voltage. 230V supply voltage and switching voltage.

Glow lamp current up to 50 mA, dependent on the ignition voltage of the glow lamps.

Precise variable time range from 1 to 30 minutes, settable by minute scale.

Permanent light switch with the big rotary switch.

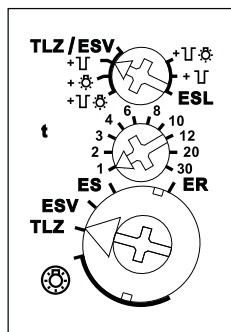
3-wire and 4-wire circuits, resettable, with attic lighting if 4-wire circuit.

Automatic detection of the method of connection.

If the function TLZ is set, the lighting is switched on again after a power failure provided the set time has not yet elapsed.

With double connections for pushbutton and lamp in order to connect either above or below or only below.

Function rotary switches



⌋ = switch-off early warning function
⊗ = pushbutton permanent light
⌋ ⊗ = switch-off early warning function and pushbutton permanent light
⊗ = permanent light switched on (all click-stop positions)

TLZ/ESV/ES/ER = the set function is active

If switch-off early warning function ⌋ is switched on the light starts flickering approx. 30 seconds before time-out and is repeated three times at decreasing time intervals.

If push-button permanent light ⊗ is switched on by pressing pushbutton longer than 1 second. This is switched off automatically after 60 minutes or by pressing push-button longer than 2 seconds.

If both switch-off early warning function and permanent light pushbutton ⌋ ⊗ are switched on, the switch-off early warning function is activated before the permanent light switches off.

When energy saving lamps ESL are completely or partially switched, then set the switch-off early warning and the pushbutton permanent light on the right hand side of the rotary switch.

If the function TLZ is selected the **time can be extended** within the first second after switching on or resetting **by pressing the push-button repeatedly up to three times** (incrementing). Each momentary-contact control increments the set time once.

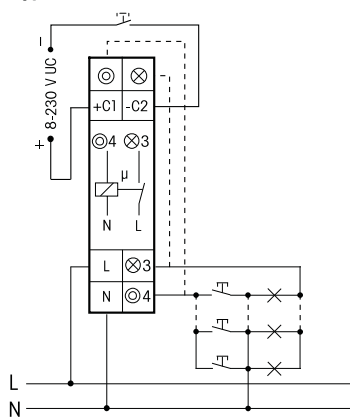
With multifunction: the following functions can be selected optionally: **ES** (impulse switch), **ER** (relay), **ESV** (impulse switch with release delay).

If the function ESV is set the time ranges (t) which can be set with the middle rotary switch are as follows:

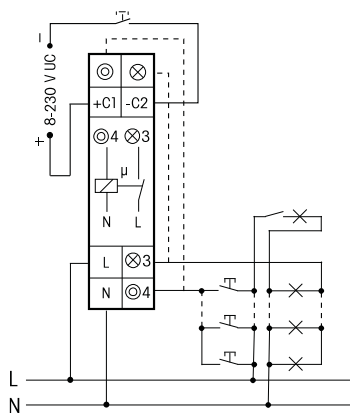
1 = 2 min, 2 = 5 min, 3 = 10 min,
4 = 15 min, 6 = 25 min, 8 = 35 min,
10 = 45 min, 12 = 60 min, 20 = 90 min,
30 = 120 min.

In this function the impulse switch automatically disconnects after the set delay is timed out, if a manual OFF command has not been given. Switch-off early warning and push-button permanent light can be switched on additionally in this position as well. Forgotten permanent light is switched off after 2 hours.

Typical connections



3-wire circuit, resettable.



4-wire circuit with attic lighting, resettable.

Technical data

⊗	Control pushbutton 230V with glow lamp current up to 50mA
Control voltage C1/C2	8..230V UC
Rated switching capacity	up to 400W
Incandescent lamp and halogen lamp load ¹⁾ 230V, I on ≤ 70A/10ms	up to 400W
Fluorescent lamp load with KVG shunt-compensated or with EVG	up to 400VA
Compact fluorescent lamps with EVG and energy saving lamps ESL	up to 400W ²⁾
230V LED lamps	up to 400W ²⁾
Standby loss (activ power)	0.4 W

¹⁾ Applies for lamps with max. 150W.

²⁾ Usually applies for energy saving lamps and 230V LED lamps. Due to different lamp electronics it may come to a restriction on the maximum number of lamps, dependent on the manufacturer, especially if the connected load is very low (eg 5W LEDs).



The strain relief clamps of the terminals must be closed, that means the screws must be tightened for testing the function of the device. The terminals are open ex works.

Must be kept for later use!

We recommend the housing for operating instructions GBA12.

Eltako GmbH

D-70736 Fellbach

+49 711 94350000

www.eltako.com